



V600

ARCHITECTURAL VINYL SERIES

Casement | Project-Out | Fixed









 **Product Material**
uPVC Vinyl

 **Frame Depth**
3 1/4"

 **Rating**
Casement: AW75*
Project-Out: AW75*
Fixed: AW100*



ONE at the Peninsula
Columbus, OH
Developers: Flaherty & Collins
Architect: ArchAll
Contractor: Ruscilli Construction
Dealer: G2 Architectural Products

 Design Pressure* Casement: 75 Project-Out: 75 Fixed: 100	 U-Value* Casement: 0.19-0.35 Project-Out: 0.19-0.35 Fixed: 0.15-0.35
 Air Infiltration* Casement: <.10 Project-Out: <.10 Fixed: <.10	 SHGC* Casement: Project-Out: Fixed:
 Water Resistance* Casement: Up to 15 Project-Out: Up to 15 Fixed: Up to 15	 CR* Casement: 65 Project-Out: 65 Fixed: 70
 OITC* Casement: 32 Project-Out: 32 Fixed: 32	 STC* Casement: 42 Project-Out: 42 Fixed: 40

* All NAFS Certifications, Thermal Testing and Acoustic Testing data shown are projected as of 7-23-2024.

FEATURES:

- ▶ Outstanding structural performance for a uPVC vinyl window
- ▶ Architectural grade, reinforced uPVC vinyl frame
- ▶ Industry leading air, water, and structural performance
- ▶ Fusion welded sash and frame corners
- ▶ 1" or 1 3/8" Insulating Glass
- ▶ Clean exterior appearance
- ▶ Multi-Point locking system with heavy commercial 4-bar arms on operating models
- ▶ Concealed casement hinges
- ▶ Up to 48" wide for casement vent model
- ▶ White uPVC vinyl (exterior/interior)
- ▶ Textured laminate options for exterior and interior
- ▶ Complete group of complimenting uPVC hinged and sliding doors available



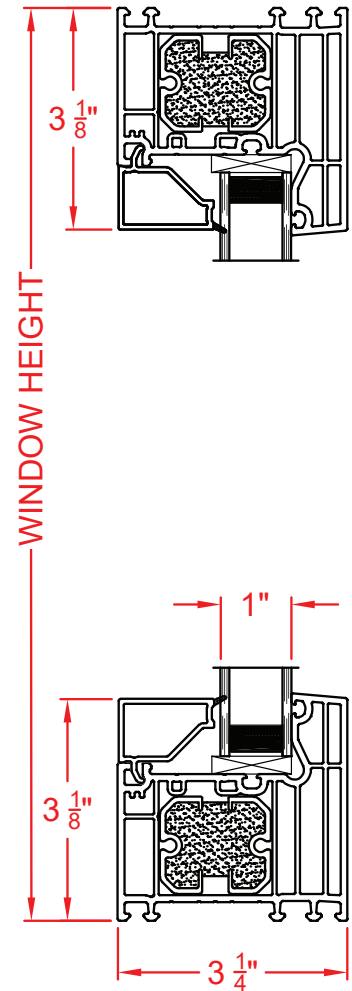
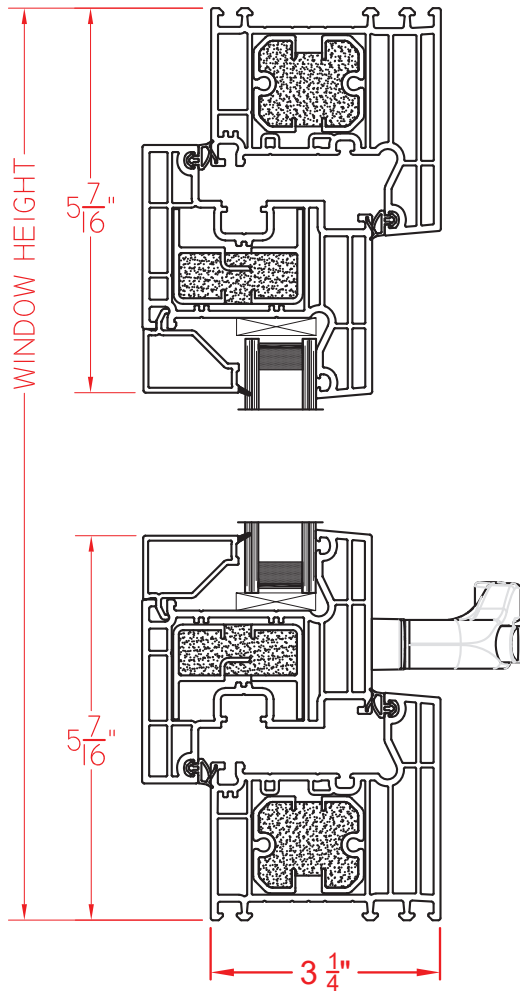
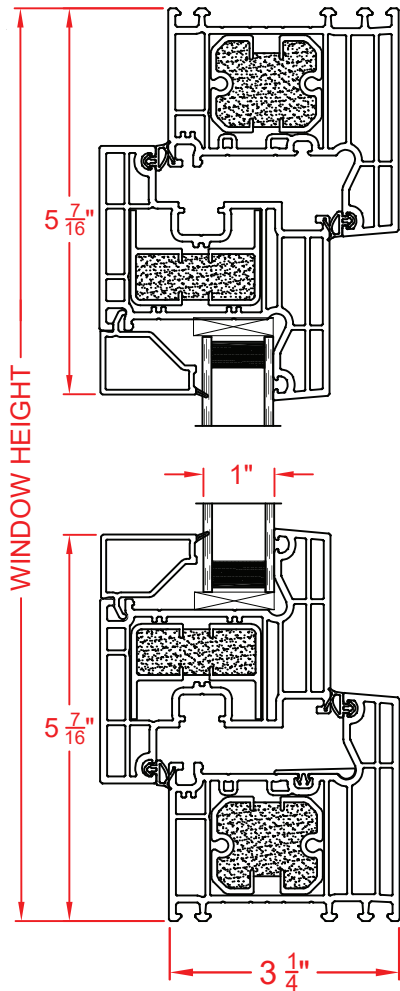
V600

ARCHITECTURAL VINYL SERIES

Casement

Project-out

Fixed



QuakerCommercialWindows.com
1-800-347-0438
Commercial@quakerwindows.com